

Motion detector - Professional Line

# IS 345

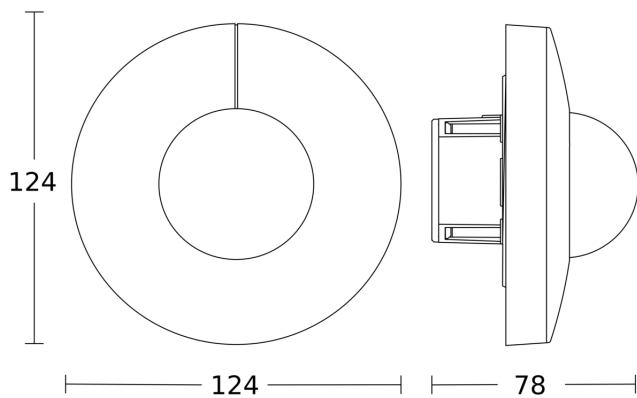
COM1 - in-ceiling installation, rd.

EAN 4007841 079697

Article number 079697



Dimension Drawing 1



Dimension Drawing 2

